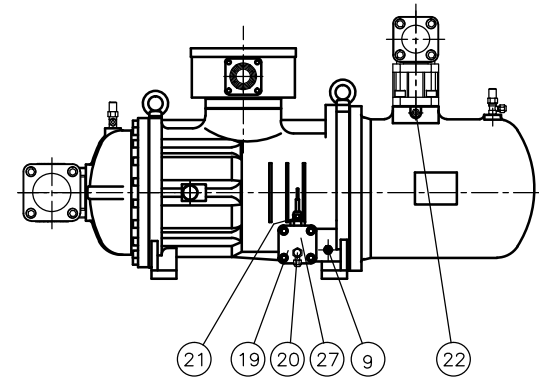


*All stop valves are optional.



No.	Name	Note	No.	Name	Note
1	Angle valve	1/4"Flare	15	Refrigerant service valve	1/4"Flare
2	Discharge flange	1 1/2"	16	Liquid injection connector	5/8"Flare, option \triangle
3	Solenoid valve	33%(NC)	17	Suction flange	2 1/2"
4	Solenoid valve	66%(NC)	18	Cable box	Standard
5	Liquid(oil or refrigerant) injection connector	3/8"Flare, option	19	Service flange	
6	Capillary		20	Oil drain valve	option
7	Check valve	1 1/2"	21	Oil level switch	option
8	Oil sight glass		22	Discharge temp. sensor	110°C
9	Oil heater	150W/300W	23	Economizer connector	5/8",solder
10	Oil filter cartridge		24	Safety Valve	1/2"NPT, option
11	Oil pressure differential switch	option	25	Solenoid valve	Stepless(NC or NO), option
12	Oil connector(out)	3/8"Flare, option	26	Over flow port	option
13	Oil connector(in)	3/8"Flare, option	27	Oil sight glass	option
14	Angle valve	1/4"Flare			

Item	Date	Modification
\triangle	2014.08.21	Dimension correction
\triangle	2012.11.06	Dimension correction
\triangle	2012.04.13	Delete 1.Connector 2.Oil temp. sensor

Model	RC2-180A/B
Name	Compressor outline
Ver.	06

UNIT
SI: mm Imperial: (in)