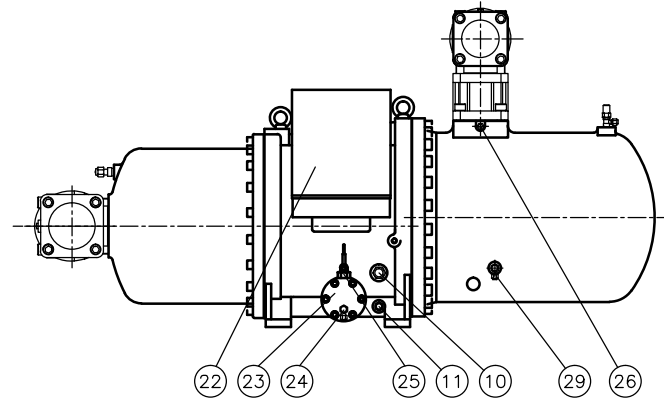
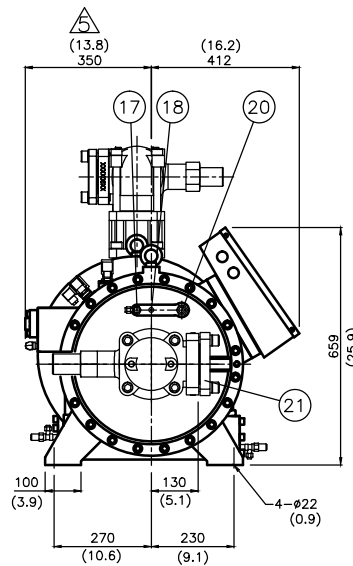


No.	Name	Note	No.	Name	Note
1	Angle valve	1/4"Flare	16	Oil connector(in)	5/8"Flare, option
2	Discharge flange	3"	17	Angle valve	1/4"Flare
3	Solenoid valve	50%(NC)	18	Refrigerant service valve	1/4"Flare
4	Solenoid valve	75%(NC)	19	Solenoid valve	Stepless(NC or NO), option
5	Solenoid valve	25%(NC)	20	Liquid injection connector	5/8"Flare, option
6	Liquid(oil or refrigerant) injection connector	3/8"Flare, option	21	Suction flange	4"
7	Capillary		22	Cable box	Standard
8	Check valve	3"	23	Service flange	
9	Oil flow sight glass		24	Oil drain valve	option
10	Oil level sight glass		25	Oil level switch	option
11	Oil heater	150W/300W	26	Discharge temp. sensor	110°C
12	Oil filter cartridge		27	Safety Valve	1"NPT,option
13	Oil pressure differential switch	option	28	Economizer connector	1 1/8",solder
14	Oil connector(out)	5/8"Flare, option	29	Over flow port	option
15	Stop pin	option			

*All stop valves are optional.



UNIT
SI: mm Imperial: (in)

Item	Date	Modification
△6	2014.08.21	Dimension correction
△5	2012.11.06	Dimension correction
△4	2012.04.16	Delete 1.Connector 2.Oil temp. sensor

Model	RC2-550A
Name	Compressor outline
	HANBELL Ver. 06